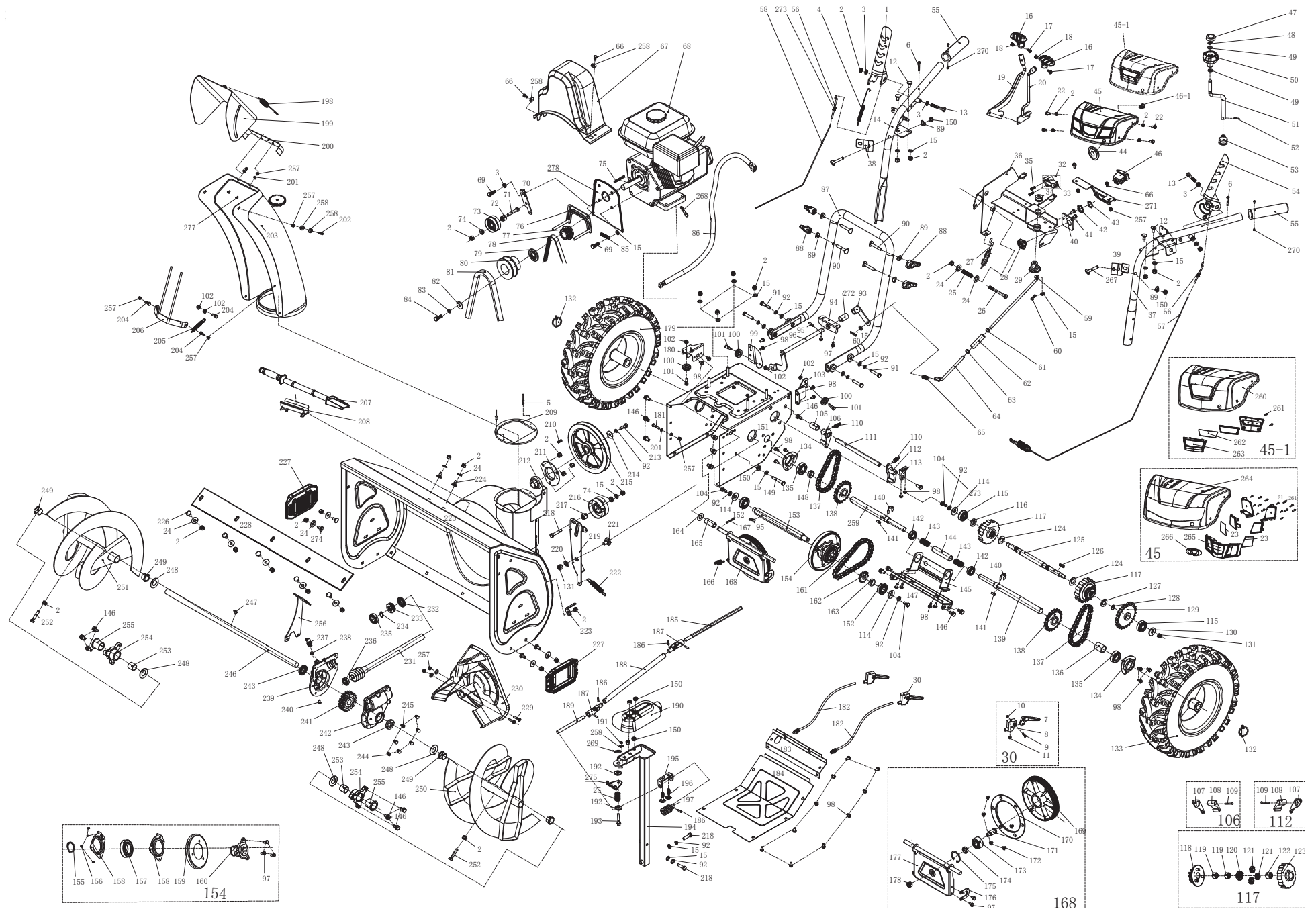


# Caiman Valto 30CVE



## Caiman Valto 30 CVE

NO	ART	NAME	QTY
1	VJ00124	BS Right handle welding	1
2	VJ00014	Non metallic hex lock nut	34
3	VJ00126	Small tension plate convex pad	5
4	VJ00127	Travel handle tension spring	1
5	VJ00512	Snow chute gasket	2
6	VJ00129	Cross recessed pan head bolt	2
7	VJ00154	handle	1
8	VJ00155	Handle base	1
9	VJ00156	Handle pin	1
10	VJ00157	Circlip	1
11	VJ00130	External hexagon nut	2
12	VJ00131	Half round head square neck bolt	4
13	VJ00493	Hexagon socket flat round head screw	2
14	VJ00494	S-type Heating right armrest welding	1
15	VJ00134	Flat mat	31
16	VJ00135	Two color handle ball	2
17	VJ00136	Cross recessed pan head screw	2
18	VJ00137	Cap nut	2
19	VJ00138	S-type BS Walking handle	1
20	VJ00476	S-type Welding of snow chute handle rod	1
21	VJ00496	Cross recessed pan head tapping screw	6
22	VJ00139	Flange face external hexagon screw	4
23	VJ00497	O-ring	1
24	VJ00058	Flat mat	15
25	VJ00141	Handle adjusting spring $\varnothing 2.5$	2
26	VJ00142	External hexagon bolt	1
27	VJ00143	BS 1400 Snow chute cable	1
28	VJ00144	Bevel gear M2C20	1
29	VJ00145	Bevel gear M2C18	1
30	VJ00153	Steering handle assembly	2
32	VJ00159	Self locking assembly	1
33	VJ00160	BS Self locking cable	1
34	VJ00161	BS Rocker damping sleeve	1
35	VJ00162	Hexagon bolt with spring washer	2
36	VJ00163	Operation panel welding	1
37	VJ00495	S type Heat left armrest welding assembly	1
38	VJ00165	Panel connection base 1 (right)	1
39	VJ00166	Panel connection base 1 (left)	1
40	VJ00167	BS Bevel gear carrier	1
41	VJ00168	External hexagon flat washer bolt with spring washer	2
42	VJ00169	Wave spring washers	1
43	VJ00170	Shaft circlip	1
44	VJ00171	New rubber sleeve 2	2
45-1	VJ00172	CRAFTS Panel assembly	
46	VJ00184	Ship type rocker waterproof switch	1
47	VJ00185	Handlebar plug	1
48	VJ00186	Shaft circlip	1
49	VJ00187	Flat mat	2
50	VJ00188	Rocker handle	1

## Caiman Valto 30 CVE

NO	ART	NAME	QTY
51	VJ00478	rocker	1
52	VJ00189	Double ring elastic pin	1
53	VJ00190	New rubber sleeve 1	1
54	VJ00191	BS Left handle	1
55	VJ00479	Heating handle cover	2
56	VJ00197	SJ iron wire small pole	2
57	VJ00448	1330 auger cable	1
58	VJ00498	walking cable	1
59	VJ00201	450 Shift connecting rod (II)	1
60	VJ00202	BS Bolt	2
61	VJ00203	External hexagon nut	1
62	VJ00204	Connecting rod adjusting sleeve	1
63	VJ00205	M8 counter thread external hexagon nut	1
64	VJ00206	1170 shift connecting rod	1
65	VJ00207	Speed regulating clearance adjusting spring 1	1
66	VJ00064	External hexagon bolt	4
67	VJ00499	1332 Belt cover	1
68	CGE340-0001S	Двигатель CAIMAN Green Engine 340CC (340cc) для снегоборщиков	1
69	VJ00066	External hexagon screw with flat spring washer	4
70	VJ00501	Small tension plate	1
71	VJ00502	Large flat head hexagon socket	1
72	VJ00050	small tensioning wheel convex pad	1
73	VJ00219	small tensioning wheel assembly	1
74	VJ00047	Cushion	2
75	VJ00222	Flat key	1
76	VJ00503	Belt gear lever assembly	1
77	VJ00504	BS26 Main synchronizing wheel	1
78	VJ00450	Synchronous belt	1
79	VJ00505	Small pulley washer	1
80	VJ00506	5LXA Main pulley	1
81	VJ00449	V belt	1
82	VJ00103	Flat mat	1
83	VJ00013	Spring washer	1
84	VJ00049	External hexagon bolt	1
85	VJ00492	SJ spring 5	
86	VJ00178	9HP Heating harness	1
87	VJ00234	Lower armrest	1
88	VJ00004	knob	4
89	VJ00005	Female gasket	6
90	VJ00237	Concave Bolt	4
91	VJ00216	External hexagon bolt	4
92	VJ00229	Spring washer	10
93	VJ00241	Fork arm	1
94	VJ00242	SJ right angle iron block	1
95	VJ00243	Coiled elastic pin	2
96	VJ00244	30 fork	1
97	VJ00245	External hexagon screw with spring washer	9
98	VJ00246	External hexagon screw with spring washer	26

## Caiman Valto 30 CVE

NO	ART	NAME	QTY
99	VJ00247	BS pulley mounting plate 1	1
100	VJ00062	SJ cable pulley	3
101	VJ00063	14 SJ screws 3	3
102	VJ00102	External hexagon flange nut	5
103	VJ00251	BS pulley mounting plate 2	1
104	VJ00252	External hexagon bolt	3
105	VJ00253	Pawl right spacer	1
106	VJ00254	Right pawl assembly	1
107	VJ00255	Pawl fixing block	2
108	VJ00262	Clutch pawl	2
109	VJ00507	Iron semi hollow rivet	2
110	VJ00258	detent spring	2
111	VJ00259	Short pawl shaft	1
112	VJ00260	Left pawl assembly	1
113	VJ00265	Pawl lever support	1
114	VJ00266	Flat mat	3
115	VJ00267	Deep groove ball bearing with retaining groove	2
116	VJ00268	Spacer	1
117	VJ00269	Clutch assembly	2
118	VJ00270	Planetary carrier	1
119	VJ00271	Punched outer ring needle roller bearing	2
120	VJ00272	Sun gear	1
121	VJ00273	Planetary gear	3
122	VJ00274	Punched outer ring needle roller bearing	1
123	VJ00275	Internal gear	1
124	VJ00276	Flat mat	2
125	VJ00277	Differential shaft	1
126	VJ00508	Type A flat key	1
127	VJ00279	Flat mat	1
128	VJ00280	Shaft circlip	1
129	VJ00281	24 tooth sprocket	1
130	VJ00282	Flat mat	1
131	VJ00108	Non metallic hex jam nut	2
132	VJ00284	BS wheel latch	2
<b>133</b>	VJ00285	Left tire assembly	
134	VJ00286	6004 bearing cover	2
135	VJ00288	Deep groove ball bearing	2
136	VJ00289	Drive shaft left spacer	1
137	VJ00290	08A chain	2
138	VJ00291	Sprocket 20Z	2
139	VJ00292	1330 left drive axle	1
140	VJ00294	Circlip	2
141	VJ00295	Semicircular key	2
142	VJ00296	Flange deep groove ball bearing	2
143	VJ00297	Drive shaft spring	2
144	VJ00298	Drive shaft connecting sleeve	1
145	VJ00299	Drive axle support frame	1
146	VJ00300	External hexagon three combination bolt	18
147	VJ00301	Drive seat support plate	1

## Caiman Valto 30 CVE

NO	ART	NAME	QTY
148	VJ00302	Drive shaft right spacer	1
149	VJ00303	External hexagon bolt	1
150	VJ00147	External hexagon flange nut	8
151	VJ00509	Gearbox	1
152	VJ00307	Deep groove ball bearing with retaining groove	2
153	VJ00309	Hexagonal shaft	1
154	VJ00311	Variable speed wheel assembly	1
155	VJ00312	Shaft circlip	1
156	VJ00313	Aluminium flat head rivet	4
157	VJ00314	Deep groove ball bearing	1
158	VJ00315	SJ Variable speed wheel axle cover	2
159	VJ00316	Variable speed wheel	1
160	VJ00318	BS variable speed wheel	1
161	VJ00320	08A chain	1
162	VJ00321	Sprocket (Z10)	1
163	VJ00322	Hexagon shaft spacer	1
164	VJ00323	Flat mat	1
165	VJ00324	Pulley support spacer	1
166	VJ00325	Friction disc return spring	1
167	VJ00326	cotter pin	1
168	VJ00327	Synchronizing wheel assembly	1
169	VJ00328	Large pulley	1
170	VJ00329	Large pulley cover	1
171	VJ00330	Friction axle	1
172	VJ00510	Cross recessed countersunk head screw	6
173	VJ00086	Ball bearing	1
174	VJ00333	Large pulley spacer	1
175	VJ00334	Circlip for hole	1
176	VJ00337	Bracket stopper	1
177	VJ00511	Friction wheel bracket	1
178	VJ00336	Non metallic hex lock nut	1
<b>179</b>	VJ00339	Right tire assembly	<b>1</b>
180	VJ00340	Pulley mounting plate	1
181	VJ00342	External hexagon bolt	1
182	VJ00343	clutch cable	2
183	VJ00344	Small rear cover plate	1
184	VJ00345	Rear cover plate	1
185	VJ00346	260 hexagon rotary rod	1
186	VJ00347	Double ring elastic pin	5
187	VJ00348	Universal coupling	2
188	VJ00349	280 Snow chute rocker 1	1
189	VJ00350	Steering lever I	1
190	VJ00351	Worm gear cover	1
191	VJ00109	metal hexagon flange lock nut	1
192	VJ00353	Convex pad	2
193	VJ00354	External hexagon bolt	1
194	VJ00355	Riser welding	1
195	VJ00356	BS worm frame	1

## Caiman Valto 30 CVE

<b>NO</b>	<b>ART</b>	<b>NAME</b>	<b>QTY</b>
196	VJ00357	Half round head square neck bolt	2
197	VJ00358	Steering worm	1
198	VJ00362	Snow chute cap tension spring	1
199	VJ00363	Snow chute cap Welding	1
200	VJ00364	Rubber cover of snow chute	1
201	VJ00487	Flat mat	5
202	VJ00367	Snow chute bolt	1
203	VJ00368	Snow chute Welding	1
204	VJ00024	External hexagon bolt	1
205	VJ00375	SJ spring 4	1
206	VJ00376	BS Safety Kit	1
207	VJ00378	BS plastic shovel assembly	1
208	VJ00379	Shovel base	1
209	VJ00381	Snow chute gasket	1
210	VJ00382	Type B flat key	1
211	VJ00383	SJ round bottom cover	1
212	VJ00384	Spherical bearing	1
213	VJ00252	External hexagon bolt	1
214	VJ00386	Flat mat	1
215	VJ00387	5LXA Large pulley	1
216	VJ00392	Large tension plate	1
217	VJ00393	Cushion Cover	1
218	VJ00394	External hexagon bolt	3
219	VJ00513	Tension plate assembly	1
220	VJ00075	Flat mat	1
221	VJ00398	SJ hex screw 1	1
222	VJ00399	Tension plate spring	1
223	VJ00400	Belt baffle	1
224	VJ00131	Half round head square neck bolt	2
225	VJ00514	3BS 30' auger housing welding	1
226	VJ00404	Half round head square neck bolt	5
227	VJ00405	BS plastic skid	2
228	VJ00515	BS30 inch new long baffle	1
229	VJ00413	BS fan fixing screw	2
230	VJ00414	Fan welding	1
231	VJ00416	9HP worm shaft	1
232	VJ00417	Framework oil seal TC type	1
233	VJ00418	Thrust ball bearing	1
234	VJ00419	spacer	1
235	VJ00420	Deep groove ball bearing	1
236	VJ00421	Deep groove ball bearing	1
237	VJ00422	Curved nozzle	1
238	VJ00423	Corrugated gasket	1
239	VJ00424	SJ right worm gear case	1
240	VJ00425	Cross recessed pan head screw	1
241	VJ00426	SJ worm gear	1
242	VJ00427	SJ left worm gear box	1
243	VJ00428	Oil seal	2

## Caiman Valto 30 CVE

NO	ART	NAME	QTY
244	VJ00429	External hexagon flat spring washer three combination bolt	6
245	VJ00430	External hexagon flat spring washer three combination bolt	1
246	VJ00519	30 inch output shaft	1
247	VJ00295	Semicircular key	1
248	VJ00433	Flat mat	4
249	VJ00434	SJ drive shaft sleeve	4
250	VJ00521	30' right auger	1
251	VJ00522	30' left auger	1
252	VJ00437	Safety screw bolt	2
253	VJ00439	Auger cushion Cover	2
254	VJ00440	Auger seat	2
255	VJ00441	Auger nylon bearing	2
256	VJ00520	Support plate	2
257	VJ00003	Non metallic hex lock nut	8
258	VJ00055	Flat mat	5
259	VJ00293	1330 right drive axle	1
260	VJ00173	Craftsman main panel	1
261	VJ00477	Cross recessed pan head tapping screw	8
261-1	VJ00477	Cross recessed pan head tapping screw	2
262	VJ00175	O-ring	2
263	VJ00176	CRAFTS lamp assembly	1
267	VJ00006	Female bolt	2
268	VJ00444	BS pull wire hook	1
269	VJ00445	Steering damping gasket	1
270	VJ00128	Pan head square drilling screw	4
271	VJ00148	Switch fixing base	1
272	VJ00409	38 Fork spacer	1
273	VJ00198	SJ copper nut	2
274	VJ00402	Round head square neck bolts	4
275	VJ00446	Fixing bracket	1
277	VJ00370	Large flat head hexagon socket bolt	2
278	VJ00524	306 Inner plate of belt cover	1
279	VJ00525	External hexagon bolt	2